

NITEKO
ILLUMINAZIONE



2024
CATALOGUE



© Copyright 2024. All rights reserved

Any use, total or partial, of the contents included in this catalogue is prohibited, including the storage, reproduction, editing, diffusion or distribution of the contents by means of any technological platform, support or computer network, without the prior written authorization from Niteko Srl.

Photos, drawings and images shown in this catalogue, about products and their applications and installations, are for illustrative and demonstrative purposes only.

Finished printing in May 2024.

Venere T

✓ **Ideal for lighting historic centers and residential streets**



> Details

Venere MINI F



Venere F



Venere P



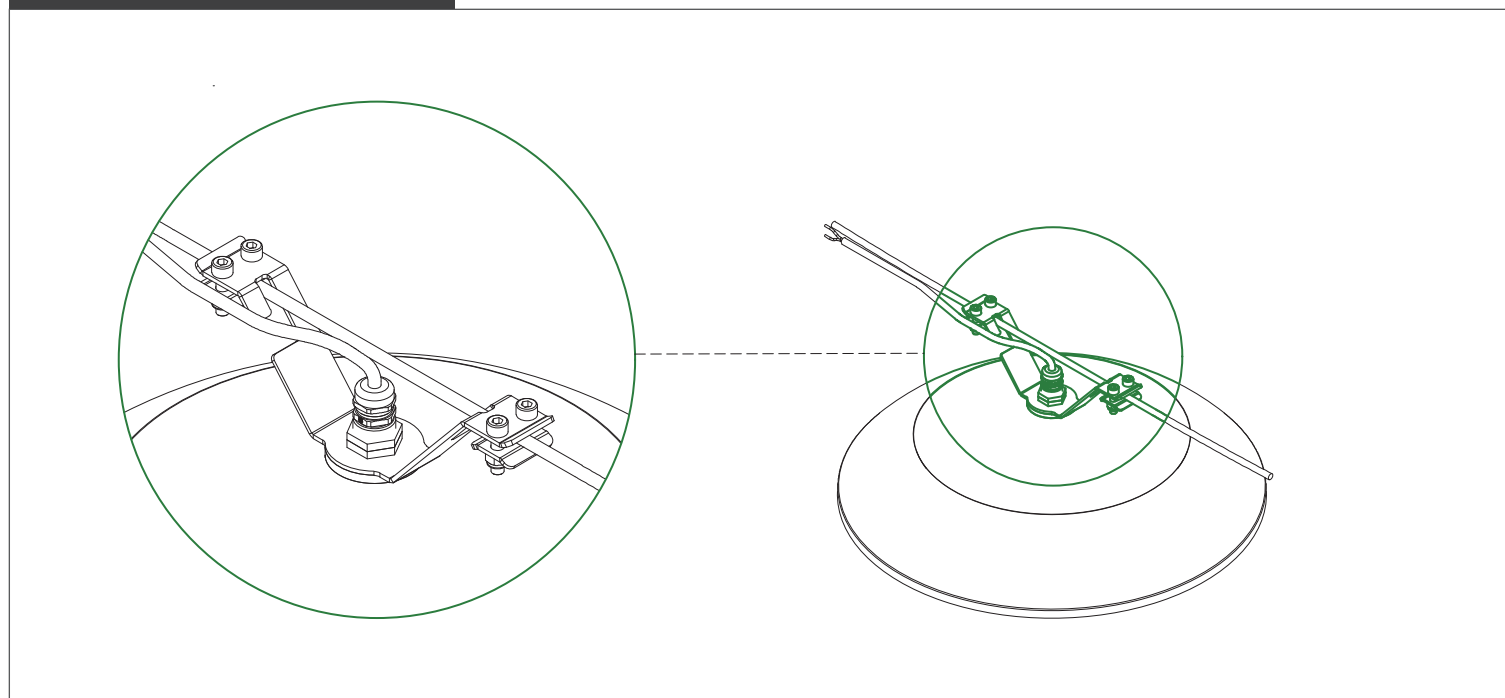
Venere S



Venere T



Suspension mounting on wire



Venere T

> Technical features

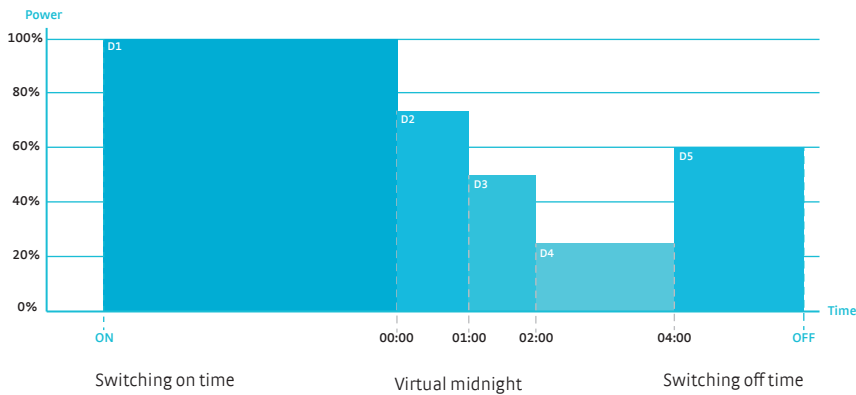
Main features	
Applications	Urban lighting: residential and urban streets, squares and gardens
Device type	LED artistic lighting luminaire
Mounting type	Suspension on wire (Rotation: - 180° ÷ + 180°)
Protection rating	IP66 IK08
	Electrical protection: EOS Protection System
	Chemical protection: VOC Free
Effective power	15 ÷ 100 W
Nominal luminous flux	2.173 ÷ 18.047 lm (@ T _J =85°C, I _F <500mA)
Luminaire efficacy	Up to 160 lm/W
Temperature	Operating temperature: -40°C ÷ +45°C Storage temperature: -40°C ÷ +80°C
Warranty	Standard: 10 years Optional: Lifetime
Energy rating	≥ A+++
Reference standards	EN 60598-1:2015 + A1:2018 EN 60598-2-3:2003 + A1:2011 IEC TR 62778:2014 IEC 62471 CISPR 15:2013 + AMD1
	IEC 61547:2009 IEC 61000-3-2:2018 IEC 61000-3-3:2013 + AMD1 EN 55015:2013 + AMD1 EN 61547:2009
	EN 61000-3-2:2014 EN 61000-3-3:2013 EN 60068-2-6:2008 EN 60068-2-27:2009
Patents and certifications	CE, RoHS, ENEC, IP66, IK08, Photobiological Safety, EOS Protection System, VOC Free, Vibration & Shock Test, Zhaga D4i
Optical features	
Photometries	Rotosymmetric, elliptic
Light source	HI power LED
Colour temperature	2.200K 2.700K 3.000K 4.000K 5.000K 5.700K
Colour rendering index	CRI≥70 CRI≥80 CRI≥90
LED modules	Independent and replaceable
Optics	PMMA, modular and replaceable
Light source efficiency	Up to 210 lm/W
Light source life	≥100.000 hours (L90B10 @ T _J =85°C, I _F <400mA)
Electrical features	
Power supply	Standard: 175 ÷ 264 V AC 50 / 60 Hz
	Optional: 120 ÷ 277 V AC 50 / 60 Hz
LED power current	I _F <500mA
Driver	Efficiency: > 90 % Power factor: PF > 0,97 (Active PFC)
Insulation class	Standard: Class II Optional: Class I
Electrical connection	Standard: Outgoing power cable HØ7RN-F (length: 0,5 m)
	Optional: IP66 Socket/Plug connector kit
Electrical protection	Standard: Common Mode: 10 kV Differential Mode: 6 kV
	Optional: Additional electrical protection with SPD device: 10 kV (C.M.) (D.M.) 10 kA
Mechanical features	
Materials	Body: die-cast aluminium
	Screen: 4 mm extra clear tempered flat glass
	Accessory: AISI 304 Stainless steel
Dimensions	Ø: 520 x h 238 mm
Weight	10,0 kg
Wind exposure	Lateral: 0,06 m ² Base: 0,21 m ²
Colour	Standard: RAL 9011 (Graphite Black) Optional: Customizable RAL colour on request
Tolerance: luminous flux +/-5%, power +/- 5%, dimensions +/-1%, weight +/-3%	

> Power and control systems

LP - Lite programmable	FP - Full programmable	SR - Full programmable sensor ready
PRG5: automatic control up to 5 profiles	PRG5: automatic control up to 5 profiles	PRG5: automatic control up to 5 profiles
DIM: 1-10V analogue control	DALI: DALI digital control	DALI: DALI 2.0 digital control
CLO LITE: constant lighting control during the lifetime with a single profile	CLO FULL: constant lighting control during the lifetime up to 20 profiles	CLO FULL: constant lighting control during the lifetime up to 20 profiles
	PLV: Power Line Voltage control	AUX: Auxiliary command 24V / 3W
	DCE: Interface for centralised emergency lighting	DCE: Interface for centralised emergency lighting

NEMASCK.7: Radio control by 7-PIN NEMA SOCKET device	ZHAGASCK: Radio control by ZHAGA SOCKET device
-------------------------------------------------------------	-------------------------------------------------------

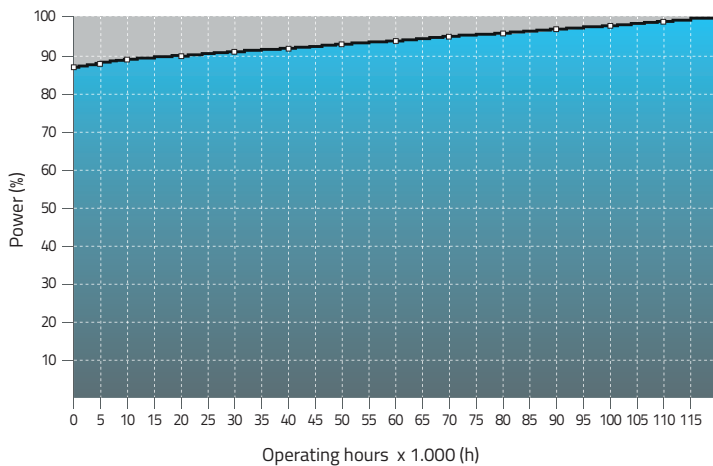
PRG module



The PRG module allows to control and reduce the luminous flux of the lighting fixture from 10% to 100% of the maximum value, without the use of dedicated cables.

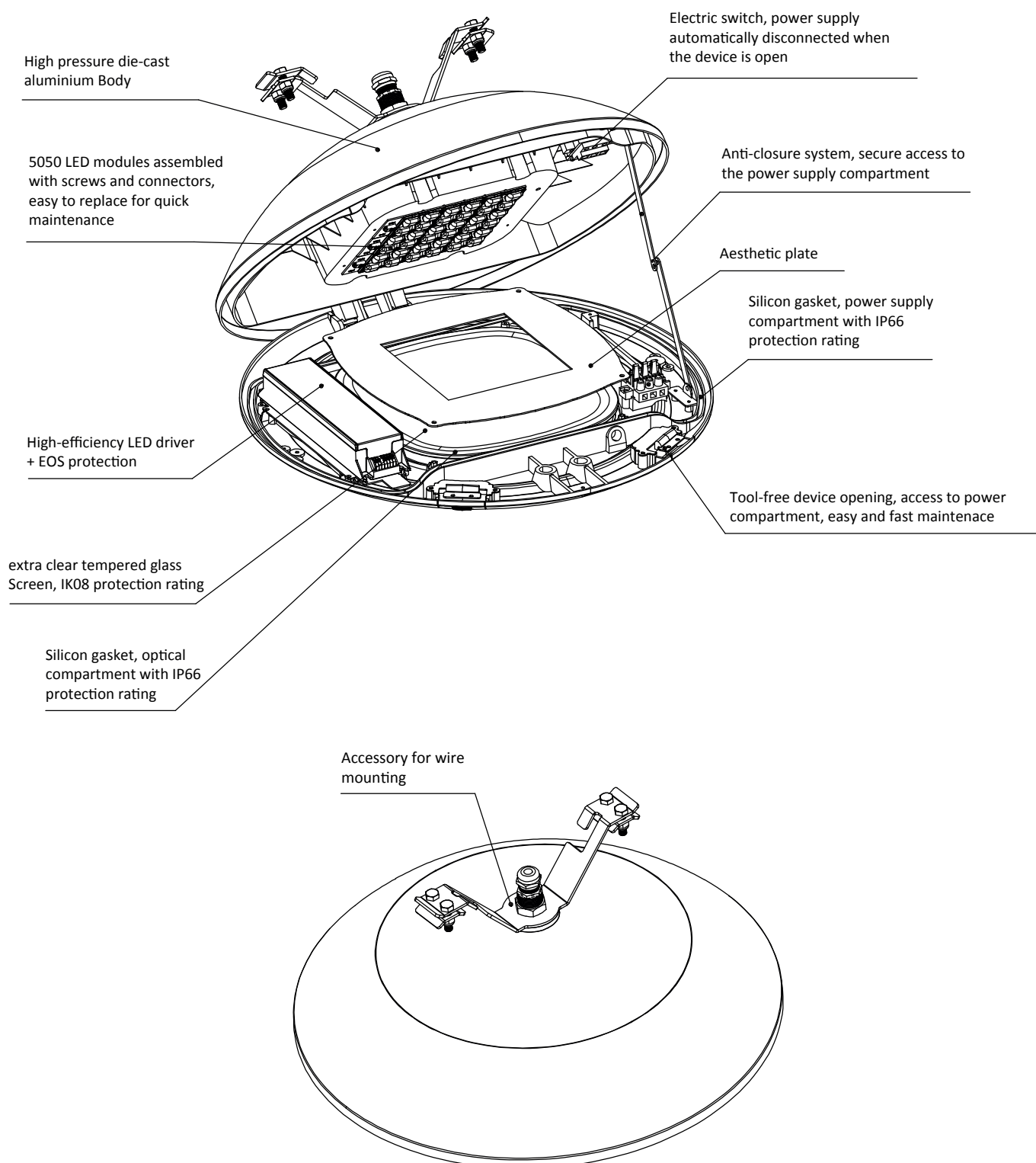
- D1: Time frame ON - 23:59 → Power 100%
- D2: Time frame 00:00 - 00:59 → Power 75%
- D3: Time frame 01:00 - 01:59 → Power 50%
- D4: Time frame 02:00 - 03:59 → Power 25%
- D5: Time frame 04:00 - OFF → Power 60%

CLO FULL Function



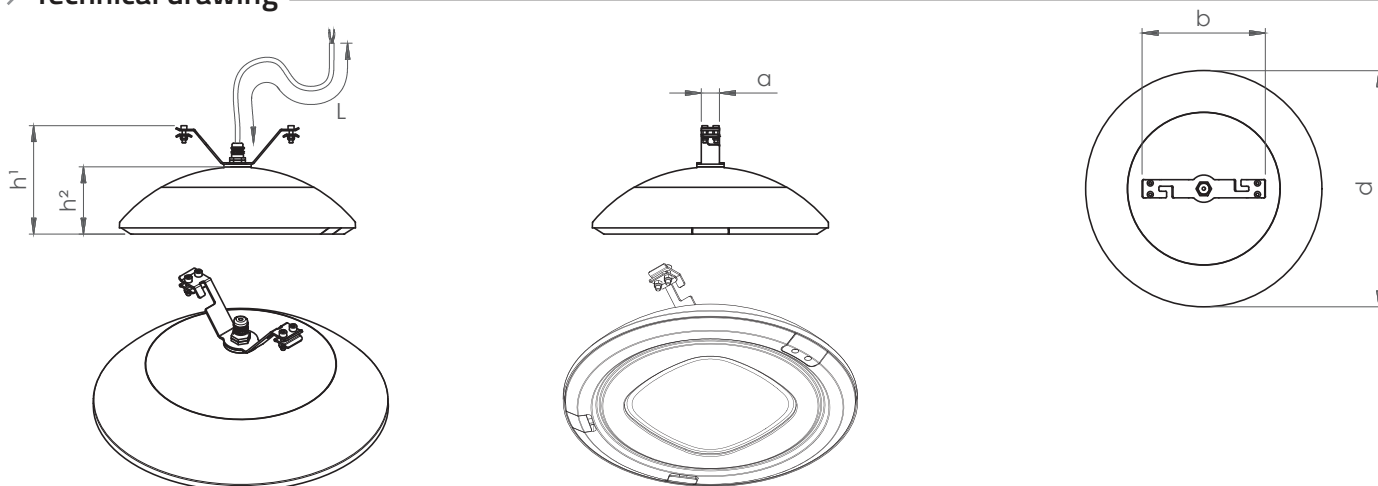
The CLO function allows to gradually increase the level of light output over time from a lower initial luminous flux up to 100%, thus compensating the luminous flux degradation of the LED module during the lighting fixture entire lifetime. It can also serve as a means to reduce energy consumption.

> Exploded view drawing



Venere T

> Technical drawing



↔	Dimensions	d = 520 mm h1 = 238 mm h2 = 148 mm a = 40 mm b = 271 mm L = 0,5 m outgoing cable standard length	⚖	Weight	10,0 kg
---	-------------------	-------------------------------------------------------------------------------------------------------------	---	---------------	----------------

> Models

Product item code [ss-mm-wwW-xyy-zz-rr]	Power	Nominal luminous flux [xyy]			
		4070 5070 5770	3070	2770 4080	2270 2780 3080 5790
	W	lm			
VENERE-T-15W -xyy-zz-rr	15,7	2.823	2.694	2.440	2.173
VENERE-T-20W -xyy-zz-rr	20,8	3.860	3.672	3.333	2.961
VENERE-T-25W -xyy-zz-rr	24,6	4.533	4.314	3.913	3.470
VENERE-T-30W -xyy-zz-rr	30,9	5.582	5.298	4.816	4.260
VENERE-T-40W -xyy-zz-rr	34,6	6.172	5.852	5.323	4.692
	39,2	6.882	6.519	5.930	5.209
VENERE-T-50W -xyy-zz-rr	40,7	7.721	7.343	6.667	5.923
	46,5	8.798	8.370	7.595	6.739
	51,3	9.591	9.120	8.279	7.341
VENERE-T-60W -xyy-zz-rr	54,6	10.115	9.611	8.730	7.738
	62,0	11.426	10.842	9.858	8.713
VENERE-T-70W -xyy-zz-rr	71,4	12.998	12.319	11.209	9.857
VENERE-T-80W -xyy-zz-rr	74,6	13.980	13.304	12.077	10.673
	83,0	15.336	14.578	13.247	11.693
VENERE-T-90W -xyy-zz-rr	90,2	16.498	15.670	14.247	12.553
VENERE-T-100W -xyy-zz-rr	99,9	18.047	17.126	15.580	13.684

Venere T

> Item code composition

Series	Model	Power		CCT		CRI		Optic		RAL Colour		
SS	- MM	- WW	-	XX	YY	-	ZZ	-	RR			
VENERE	- T	- 15W	60W	- 22	2.200 K	70	CRI>70	-	A**	Asymmetric (** = from 1 to 99)	- 9011	Graphite black
		20W	70W	27	2.700 K	80	CRI>80	-	AB**	Asymmetric (** = from 1 to 99)	- RRRR	Customizable
		25W	80W	30	3.000 K	90	CRI>90	-	E**	Elliptic (** = from 1 to 99)		RAL colour on request
		30W	90W	40	4.000 K			-	R**	Rotosymmetric (** = from 1 to 99)		
		40W	100W	50	5.000 K			-	**	Symmetric (** = from 00 to 999)		
		50W		57	5.700 K			-				

> Output flux multiplier - Light intensity class

In order to calculate the real flux of the device, the efficiency of the chosen optic must be multiplied by the nominal light flux value shown in the table. Each optic corresponds to a class of light intensity G*.

E3	0,87	G*6	E4	0,83	G*6	R1	0,82	G*6	100	0,86	G*6
----	------	-----	----	------	-----	----	------	-----	-----	------	-----



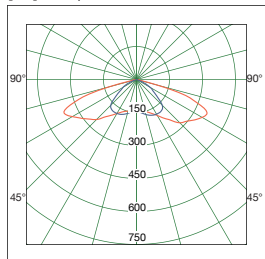
> Photometries

Venere T

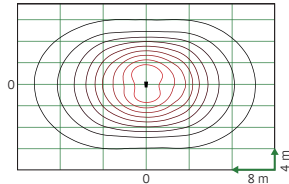


Elliptic

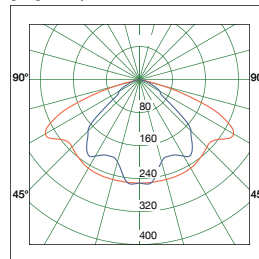
[E3] - Elliptic 145°x110°



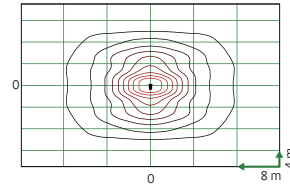
H = 8 m



[E4] - Elliptic 140°x100°

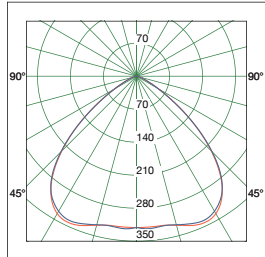


H = 8 m

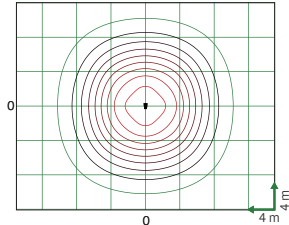


Symmetric

[100] - Symmetric 100°

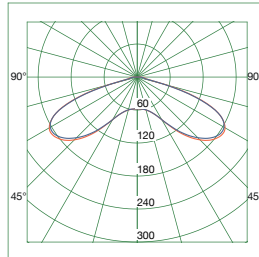


H = 8 m

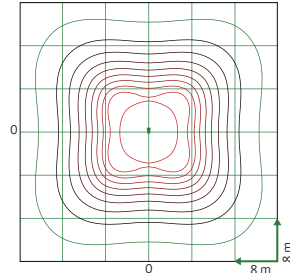


Rotosymmetric

[R1] - Rotosymmetric 140°x140°



H = 8 m

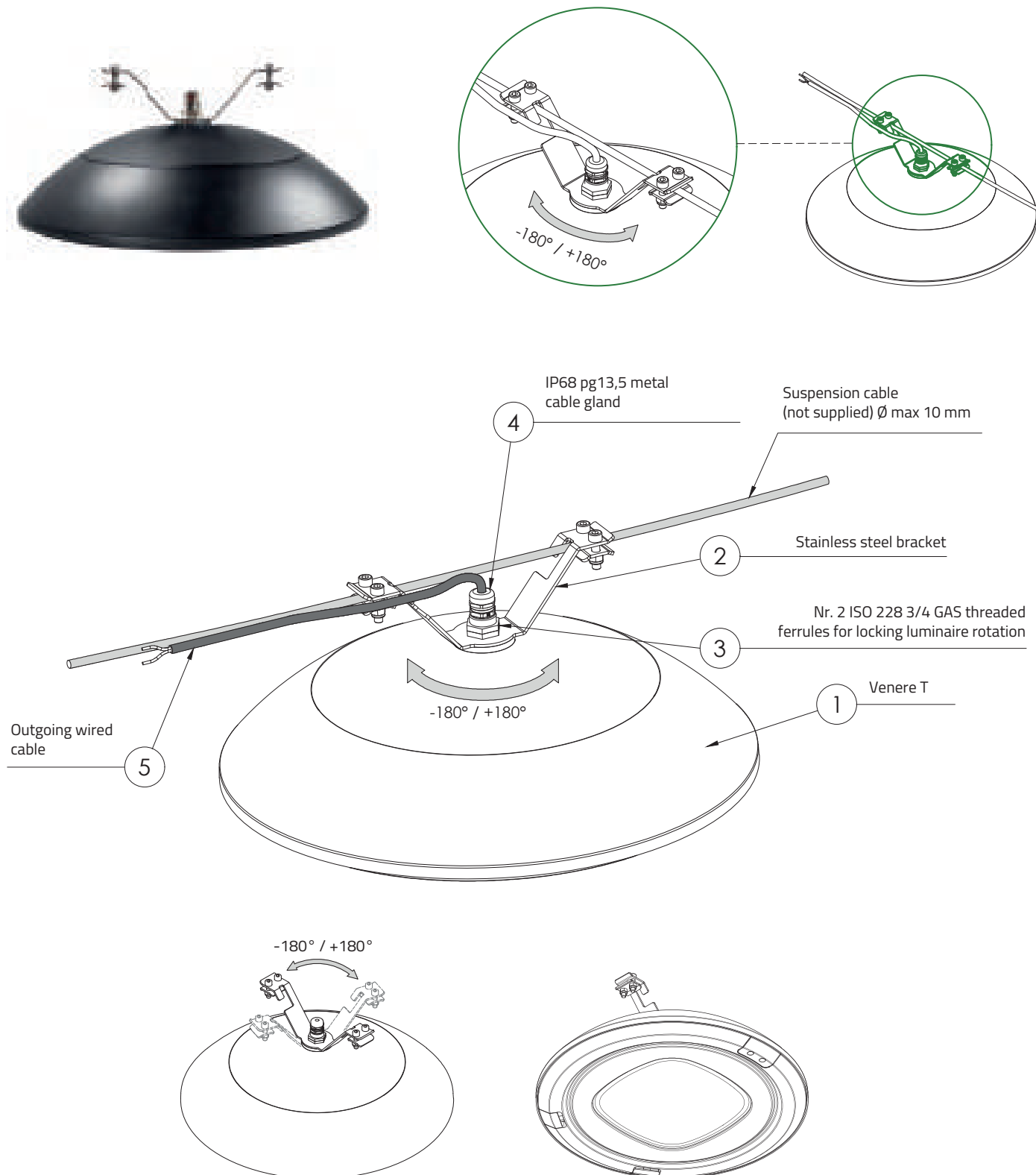


More photometries are available on request

> Installation details

Venere T

Wire mounting



Venere T

> Installations





2024

CATALOGUE

Technical data may change over time.
For updates, please visit www.niteko.com
or contact us at info@niteko.com.



NITEKO SRL

Viale della Libertà, 8
74020 Montemesola (TA) - ITALY

T. [+39] 099 567 12 19

F. [+39] 099 567 11 12

www.niteko.com

info@niteko.com