

NITEKO 
ILLUMINAZIONE



CATALOGUE 2023



Venere P

✓ **Ideal for lighting parkings, residential streets, cycle lanes and paths**



RoHS



> Details

Venere MINI F



Venere F



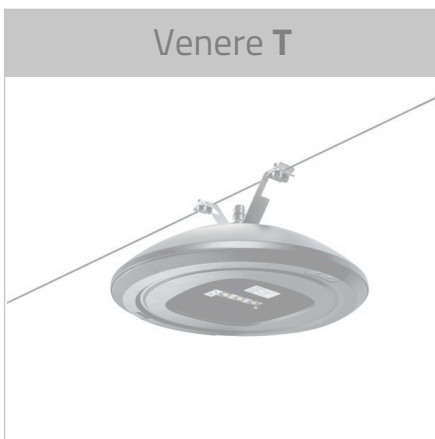
Venere P



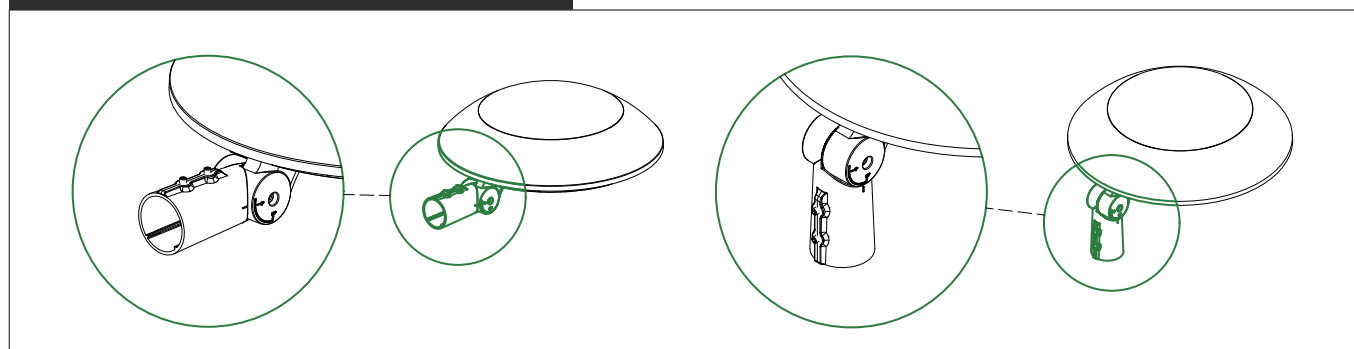
Venere S



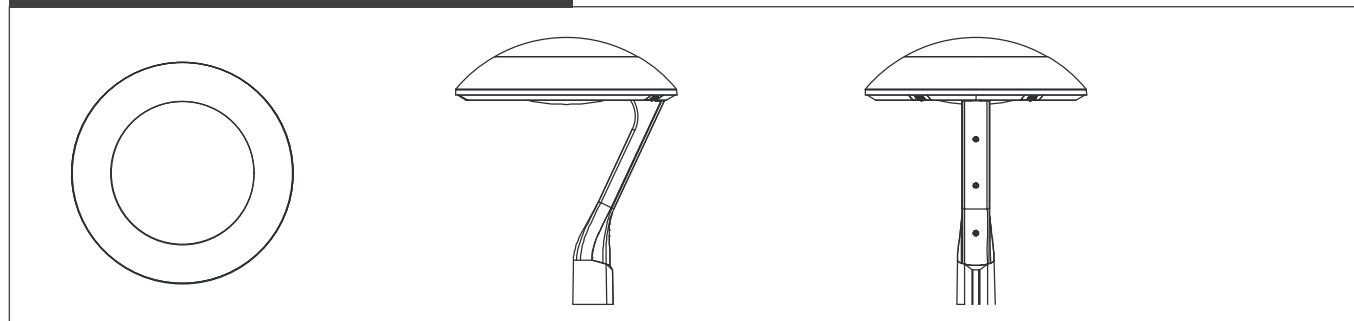
Venere T



Mast arm / head-pole mounting



Post-top mounting



Venere P

> Technical features

Main features	
Applications	Street lighting: residential and urban streets, cycle lanes, parkings, squares and gardens
Device type	LED artistic lighting luminaire
Mounting type	Post-top, mast arm
Inclination	Post-top: 0° ÷ +15° (steps of 5°) Mast arm: -90° ÷ +15° (steps of 5°)
Protection rating	IP66 IK08 (glass) / IK09 (body)
	Electrical protection: EOS Protection System
	Chemical protection: VOC Free
Actual power	15 ÷ 100 W
Nominal luminous flux	2.185 ÷ 17.152 lm (@ T _J =85°C, I _F <500mA)
Device light efficiency	Up to 160 lm/W
Temperature	Operating temperature: -40°C ÷ +45°C Storage temperature: -40°C ÷ +80°C
Warranty	20 years or 100.000 hours
Energy Rating	≥ A++
Reference standards	EN 60598-1:2015 + A1:2018 EN 60598-2-3:2003 + A1:2011 IEC TR 62778:2014 IEC 62471 CISPR 15:2013 + AMD1
	IEC 61547:2009 IEC 61000-3-2:2018 IEC 61000-3-3:2013 + AMD1 EN 55015:2013 + AMD1 EN 61547:2009
	EN 61000-3-2:2014 EN 61000-3-3:2013 EN 60068-2-6:2008 EN 60068-2-27:2009
Patents and certifications	CE, RoHS, ENEC, IP66, IK09, Photobiological Safety, EOS Protection System, VOC Free, Vibration & Shock Test, Zhaga D4i
Optical features	
Photometries	Asymmetric, rotosymmetric, elliptic, for pedestrian crossings
Light source	HI power LED
Colour temperature	2.200K 2.700K 3.000K 4.000K 5.000K 5.700K
Colour rendering index	CRI≥70 CRI≥80 CRI≥90
LED modules	Independent and replaceable
Optics	PMMA, modular and replaceable
Light source efficiency	Up to 210 lm/W
Light source life	≥100.000 hours (L90B10 @ T _J =85°C, I _F <400mA)
Electrical features	
Power supply	Standard: 175 ÷ 264 V AC 50 / 60 Hz
	Optional: 120 ÷ 277 V AC 50 / 60 Hz
LED power current	I _F <500mA
Driver	Efficiency: > 90 % Power factor: PF >0,97 (Active PFC)
Insulation class	Standard: Class II Optional: Class I
Electrical connection	Outgoing power cable with IP66 protected connector (Standard lenght: 1 m)
Electrical protection	Common Mode: 10 kV Differential Mode: 6 kV
	Additional electrical protection with SPD device: 10 kV (C.M.) 10 kV (D.M.) 10 kA
Mechanical features	
Materials	Body: die-cast aluminium
	Screen: 4 mm transparent tempered flat glass 4 mm transparent tempered curved glass
Dimensions	Head-pole mounting: Ø 520 x h 329 mm Mast arm mounting: Ø 520 x 641 x h 224 mm
	Post-top mounting: Ø 520 x h 637 mm
Weight	Body: 9,0 kg Street Accessory: 0,60 kg Artistic Accessory: 0,60 kg
Wind exposure	Lateral: 0,07 m ² Frontal tilt (20°): 0,11 m ² Base: 0,21 m ²
Colour	Standard: RAL 9011 (Graphite Black) Optional: Customizable RAL colour on request
Tolerance: luminous flux +/-5%, power +/- 5%, dimensions +/-1%, weight +/-3%	

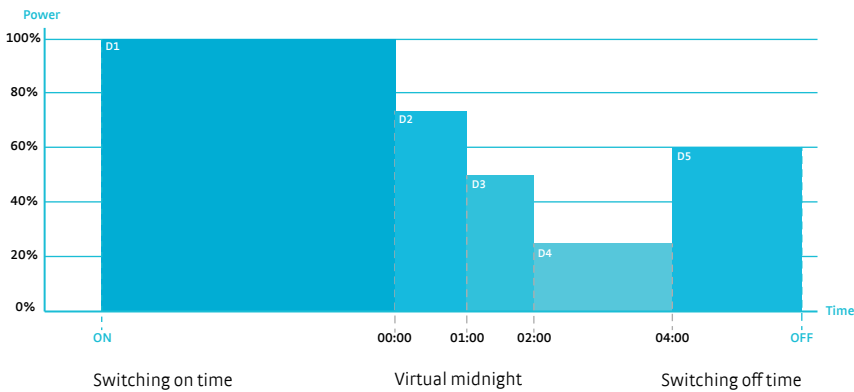
> Power and control systems

LP - Lite programmable	FP - Full programmable	SR - Full programmable sensor ready
PRG5: automatic control up to 5 profiles	PRG5: automatic control up to 5 profiles	PRG5: automatic control up to 5 profiles
DIM: 1-10V analogue control	DALI: DALI digital control	DALI: DALI 2.0 digital control
CLO LITE: constant lighting control during the lifetime with a single profile	CLO FULL: constant lighting control during the lifetime up to 20 profiles	CLO FULL: constant lighting control during the lifetime up to 20 profiles
	PLV: Power Line Voltage control	AUX: Auxiliary command 24V / 3W
	DCE: Interface for centralised emergency lighting	DCE: Interface for centralised emergency lighting

NEMASCK.7: Radio control by 7-PIN NEMA SOCKET 7 device

ZHAGASCK: Radio control by ZHAGA SOCKET device

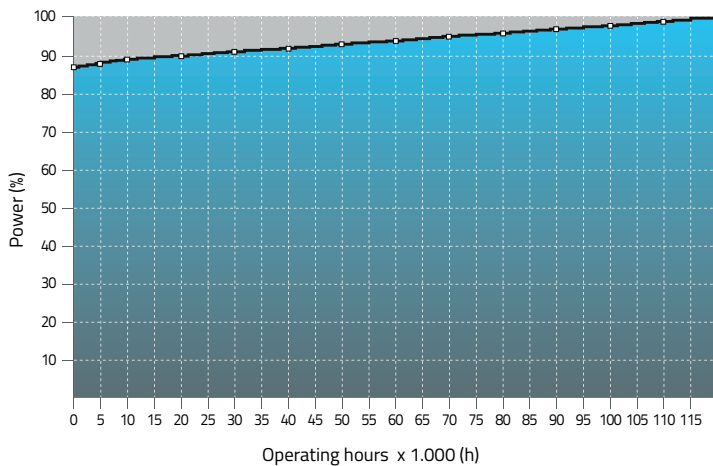
PRG module



The PRG module allows to control and reduce the luminous flux of the lighting fixture from 10% to 100% of the maximum value, without the use of dedicated cables.

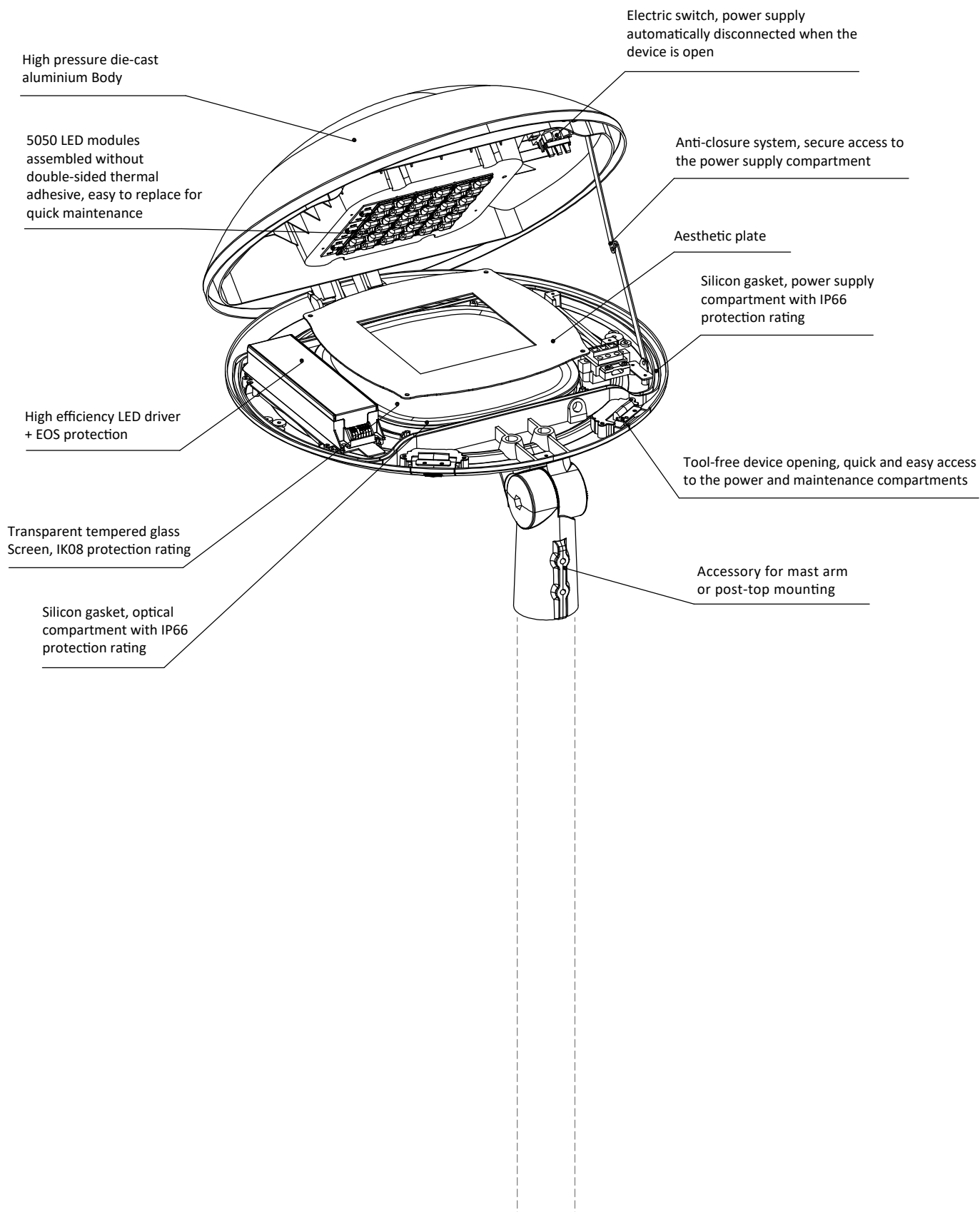
- D1: Time frame ON - 23:59 → Power 100%
- D2: Time frame 00:00 - 00:59 → Power 75%
- D3: Time frame 01:00 - 01:59 → Power 50%
- D4: Time frame 02:00 - 03:59 → Power 25%
- D5: Time frame 04:00 - OFF → Power 60%

CLO FULL Function



The CLO function allows to gradually increase the level of light output over time from a lower initial luminous flux up to 100%, thus compensating the luminous flux degradation of the LED module during the lighting fixture entire lifetime. It can also serve as a means to reduce energy consumption.

> Exploded view drawing



Venere P

STREET Version

Mast arm / head-pole mounting

KM-VENERE-STRADALE

↔	Dimensions	d = 520 mm a = 641 mm h1 = 329 mm h2 = 148 mm h3 = 224 mm	⚖	Weight	9,6 Kg
		L = 1m outgoing cable standard length Øp = 60 mm pole - 100 mm depth			

ARTISTIC Version

Most arm / head-pole mounting

KM-VENERE-ARTISTICA

↔	Dimensions	d = 520 mm h1 = 637 mm h2 = 148 mm	⚖	Weight	9,6 Kg
		L = 1m outgoing cable standard length Øp = 76 mm pole - 80 mm depth			

Venere P

VENERE P					
Product item code [ss-mm-wwW-xyyy-zz-rr]	Power [wwW]	Nominal luminous flux [xyyy]			
		4070 5070 5770	3070	2770 4080	2270 2780 3080 5790
		W	lm		
VENERE-P-15W-xyyy-zz-rr	14,9	2.661	2.537	2.336	2.185
VENERE-P-20W-xyyy-zz-rr	20,0	3.476	3.313	3.051	2.854
VENERE-P-25W-xyyy-zz-rr	25,4	4.380	4.175	3.840	3.580
VENERE-P-30W-xyyy-zz-rr	30,0	5.057	4.820	4.436	4.142
VENERE-P-40W-xyyy-zz-rr	40,3	6.598	6.288	5.765	5.380
VENERE-P-50W-xyyy-zz-rr	50,5	9.055	8.632	7.992	7.400
VENERE-P-60W-xyyy-zz-rr	60,0	10.488	9.997	9.171	8.566
VENERE-P-70W-xyyy-zz-rr	70,0	11.996	11.436	10.462	9.764
VENERE-P-80W-xyyy-zz-rr	80,0	14.116	13.455	12.355	11.524
VENERE-P-90W-xyyy-zz-rr	90,0	15.676	14.942	13.701	12.790
VENERE-P-100W-xyyy-zz-rr	100,0	17.152	16.349	14.966	13.972

> Item code composition

Series	Model	Power	CCT	CRI	Optic	RAL colour
SS	MM	WW	XX	YY	ZZ	RR
VENERE	P	15W 60W 20W 70W 30W 80W 40W 90W 50W 100W	22 2.200 K 27 2.700 K 30 3.000 K 40 4.000 K 50 5.000 K 57 5.700 K	70 CRI>70 80 CRI>80 90 CRI>90	A** Asymmetric (** = from 1 to 99) AB** Asymmetric (** = from 1 to 99) E** Elliptic (** = from 1 to 99) R** Rotosymmetric (** = from 1 to 99) PCDX** Right Asymmetric (** = from 1 to 99) PCSX** Left Asymmetric (** = from 1 to 99)	9011 Graphite black RRRR Customizable RAL colour on request

> Real flux multiplier - Light intensity class

In order to calculate the real flux of the device, the efficiency of the chosen optic must be multiplied by the nominal light flux value shown in the table.

Each optic corresponds to a class of light intensity G*.

A1	0,84	G*6	A2	0,79	G*4	A3	0,87	G*6	A4	0,83	G*6	A7	0,79	G*2
A8	0,82	G*1	PCDX	0,85	G*6	PCSX	0,85	G*6	E3	0,87	G*6	R1	0,82	G*6

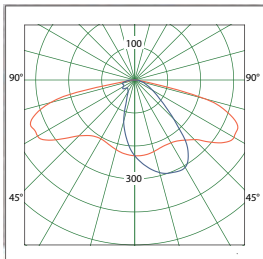
> Photometries

Venere P

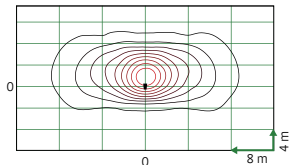


Asymmetric

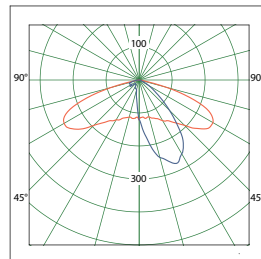
[A1] - Asymmetric 155°x55°



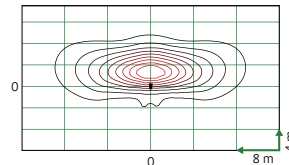
H = 8 m



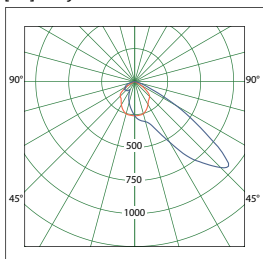
[A2] - Asymmetric 150°x35°



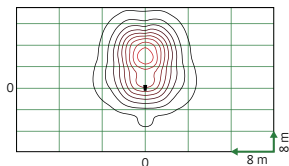
H = 8 m



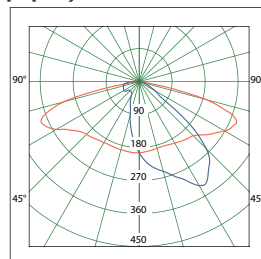
[A3] - Asymmetric 120°x50°



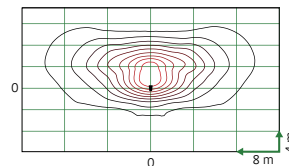
H = 8 m



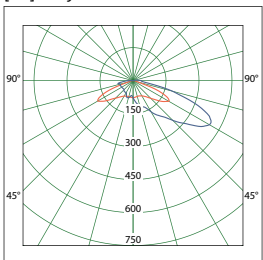
[A4] - Asymmetric 145°x65°



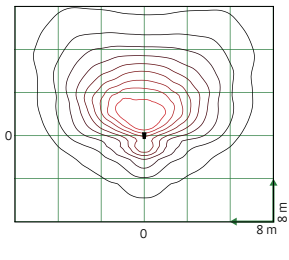
H = 8 m



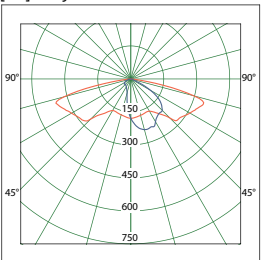
[A7] - Asymmetric 120°x80°



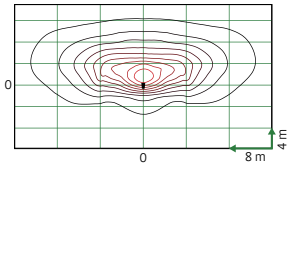
H = 8 m



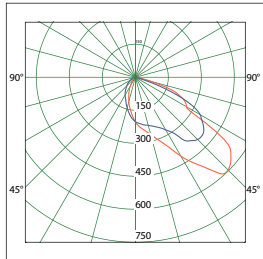
[A8] - Asymmetric 155°x55°



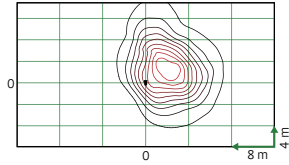
H = 8 m



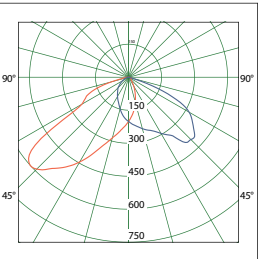
[PCDX] - Asymmetric DX 40°x55°



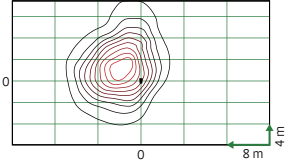
H = 8 m



[PCSX] - Asymmetric SX 40°x55°

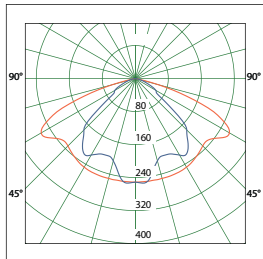


H = 8 m

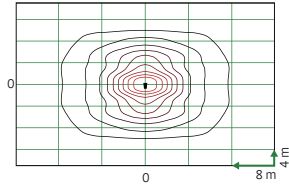


Elliptic

[E4] - Elliptic 140°x100°

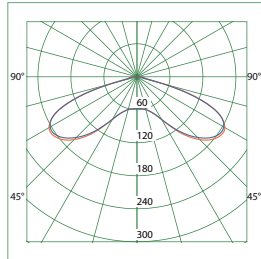


H = 8 m

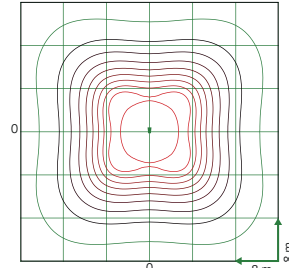


Rotosymmetric

[R1] - Rotosymmetric 140°x140°



H = 8 m

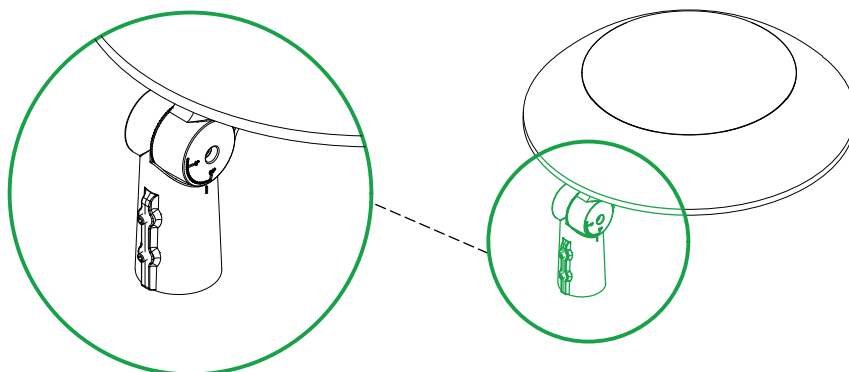
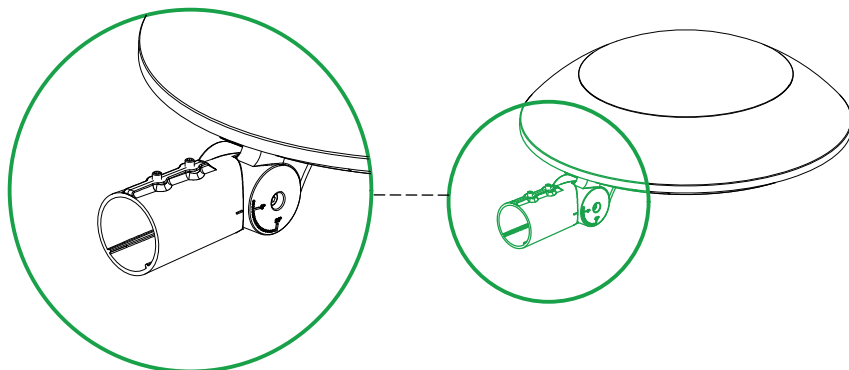


More photometries are available on request

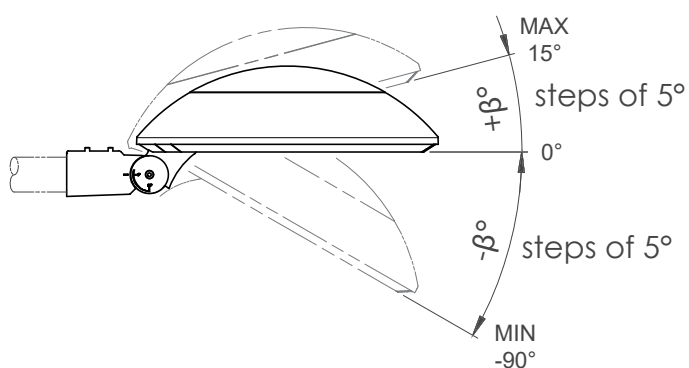
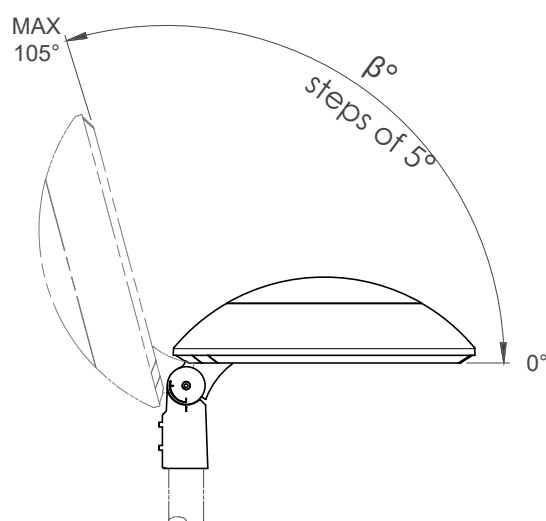
> Mounting options / Street accessory

Venere P

Mast arm / post-top mounting



> Adjustable system



> Mounting options / Artistic accessory

Venere P

Post-top mounting

Standard pole connection

Ø76 mm pole – depth 80 mm



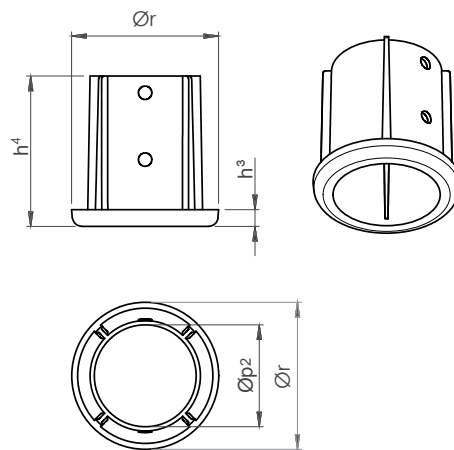
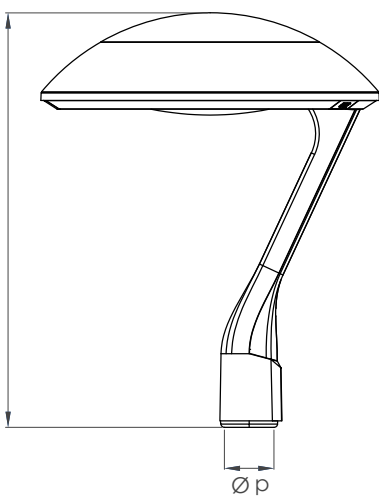
> Fixed system

Pole reduction accessory

KM-VENERE-RID60

Standard connection for Ø 76 mm poles

Optional accessory for Ø 48-60 mm poles



Dimensions

d = 520 mm | h1 = 637 mm | h2 = 148 mm

Øp = 76 mm pole - 80 mm depth | L = 1m outgoing cable standard length



Weight

9,6 Kg

Venere P

> Installations







NITEKO SRL

Viale della Libertà, 8
74020 Montemesola (TA) - ITALY

T. [+39] 099 567 12 19

F. [+39] 099 567 11 12

www.niteko.com

info@niteko.com